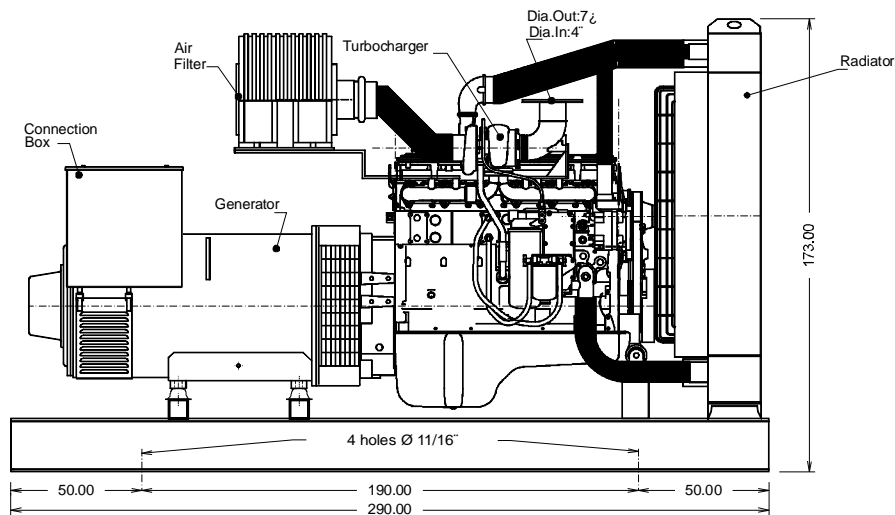
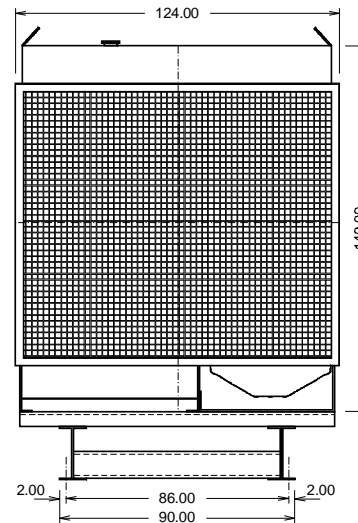


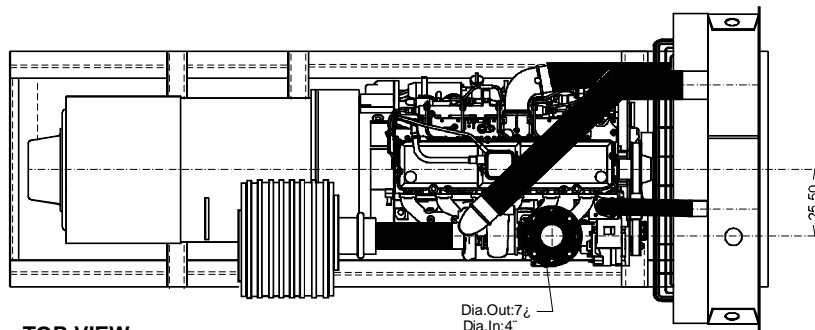
MODELS
CNY220
CNY250
CNY300
CNE261
CNE290
CNE350



**SIDE VIEW**



**FRONT VIEW**



**TOP VIEW**

DESCRIPTION
RADIATOR: CM07 TM PAQ G5 300
ENGINE: QSL9G2/G3/G5
AIR FILTER: AH1135
BASE FRAME: BP-QSL9G5-STF
# SPRING AVMS: 4 PZS

-THE GENSET DIMENSIONS ARE THE SAME BY FAMILY MODEL, THERE COULD BE ONLY DIFFERENCES ON THE ALTERNATOR LENGTH SEE SPECIFIC GENERAL ARRANGEMENT DRAWING OF CERTAIN MODEL  
 -TOTAL WEIGHT COULD VARY CHECK RATING CHART FOR EACH MODEL

Customer: \_\_\_\_\_ S/O: \_\_\_\_\_

Rev.	Description	Date	Certified

Title: <b>CUMMINS ENGINE QSL9G2/G3/G5 - STAMFORD ALTERNATOR</b>			
Draw: R.G.C.	Revised: F.H.M.	Certified: F.H.M.	Code: <b>CNE/Y-21</b>
Date: JAN 05th 2005	Date: JAN 05th 2005	Date: JAN 05th 2005	Dept: Engineering
		Marks: cms	Draw:
		Scale: s/e	Of:
Ottomores keeps the right to change the information with out prior notice			